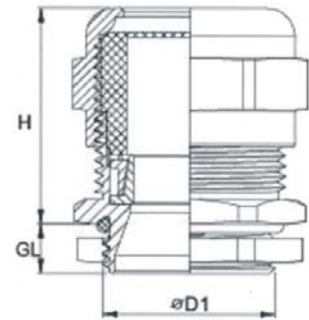


## Waterproof EMC Cable Gland (SERCG Series) Ring Type

### PRODUCT OVERVIEW:

Material: Nickel-Plated Brass  
 Lower Ring: Nickel-Plated Brass  
 Upper Ring: Nickel-Plated Brass  
 Thread Type: Metric  
 Hermetic Seal: NBR  
 O-Ring: EPDM  
 IP Rating: Waterproof (IP68)  
 Product Features: RoHS and REACH Compliant  
 Working Temperature: From -40°C to 100°C; Max Instantaneous Temperature Up to 120°C



SERCG Assembly    Lock Nut    O-Ring    Body    Lower Ring    Upper Ring    Seal    Sealing Nut



Part Number	Thread $\varnothing D1$ (mm)	$\varnothing$ (mm)	H (mm)	GL for Normal Type (mm)	Wrench Size (mm)	GL for Long Type (mm)
SERCG-M1205-■	M12 x 1.5	2.0 - 5.0	23	6.5	17	10
SERCG-M1207-■	M12 x 1.5	3.0 - 6.5	23	6.5	17	10
SERCG-M1606-■	M16 x 1.5	2.0 - 6.0	25	6	20	10
SERCG-M1607-■	M16 x 1.5	3.0 - 7.0	25	6	20	10
SERCG-M1608-■	M16 x 1.5	4.0 - 8.0	25	6	20	10
SERCG-M1610-■	M16 x 1.5	5.0 - 10.0	25	6	20	10
SERCG-M2009-■	M20 x 1.5	5.0 - 9.0	28	6	24	10
SERCG-M2012-■	M20 x 1.5	6.0 - 12.0	28	6	24	10
SERCG-M2014-■	M20 x 1.5	10.0 - 14.0	28	6	24	10
SERCG-M2516-■	M25 x 1.5	9.0 - 16.0	30	7	30	12
SERCG-M2518-■	M25 x 1.5	13.0 - 18.0	30	7	30	12
SERCG-M3220-■	M32 x 1.5	13.0 - 20.0	36	8	34	12
SERCG-M3221-■	M32 x 1.5	18.0 - 21.0	36	8	34	12
SERCG-M4026-■	M40 x 1.5	18.0 - 26.0	39	8	50	15
SERCG-M4028-■	M40 x 1.5	20.0 - 28.0	39	8	50	15
SERCG-M5031-■	M50 x 1.5	25.0 - 31.0	41	9	57	15
SERCG-M5035-■	M50 x 1.5	30.0 - 35.5	41	9	57	15

Note: ■ - Empty means Normal Type and "L" means Long Type