

## Waterproof Cable Gland (SCG Series) NPT Thread

### PRODUCT OVERVIEW:

Material: PA(Nylon)

Thread Type: NPT

Hermetic Seal: NBR

O-Ring: EPDM

Material: Nylon

Working Temperature:

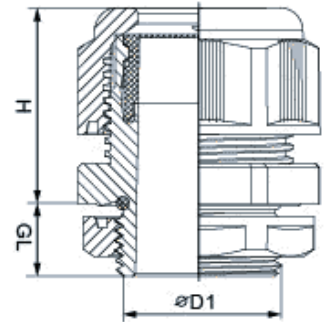
Static State: From -40°C to 100°C; Max Instantaneous Temperature Up to 120°C

Dynamic State: From -20°C to 80°C; Max Instantaneous Temperature Up to 100°C

Color: Grey, Black and Subject to Customer Requested

Fire Rating: UL 94-V2

Ingress Protection Rating: IP68 / IP69K



Part Number	Thread $\varnothing D1$ (mm)	Cable $\varnothing$ (mm)	H (mm)	GL for Normal Type (mm)	Wrench Size (mm)
SCG-N3806-●■	3/8" NPT	2.0 - 6.0	22	15	19/22
SCG-N3808-●■	3/8" NPT	4.0 - 8.0	22	15	19/22
SCG-N1209-●■	1/2" NPT	5.0 - 9.0	27	13	24
SCG-N12612-●■	1/2" NPT	6.0 - 12.0	27	13	24
SCG-N12712-●■	1/2" NPT/E	7.0 - 12.0	28	13	27
SCG-N1214-●■	1/2" NPT/E	10.0 - 14.0	28	13	27
SCG-N3416-●■	3/4" NPT	9.0 - 16.0	31	14	33
SCG-N3418-●■	3/4" NPT	13.0 - 18.0	31	14	33
SCG-N10020-●■	1" NPT	13.0 - 20.0	39	19	42
SCG-N10025-●■	1" NPT	18.0 - 25.0	39	19	42
SCG-N11420-●■	1 1/4" NPT	13.0 - 20.0	39	16	46
SCG-N11425-●■	1 1/4" NPT	18.0 - 25.0	39	16	46
SCG-N11226-●■	1 1/2" NPT	20.0 - 26.0	48	20	53
SCG-N11232-●■	1 1/2" NPT	22.0 - 32.0	48	20	53

Note: ● - Empty means Black Color and "G" means Grey Color.  
 ■ - Empty means Normal Type GL and "L" means Long Type GL